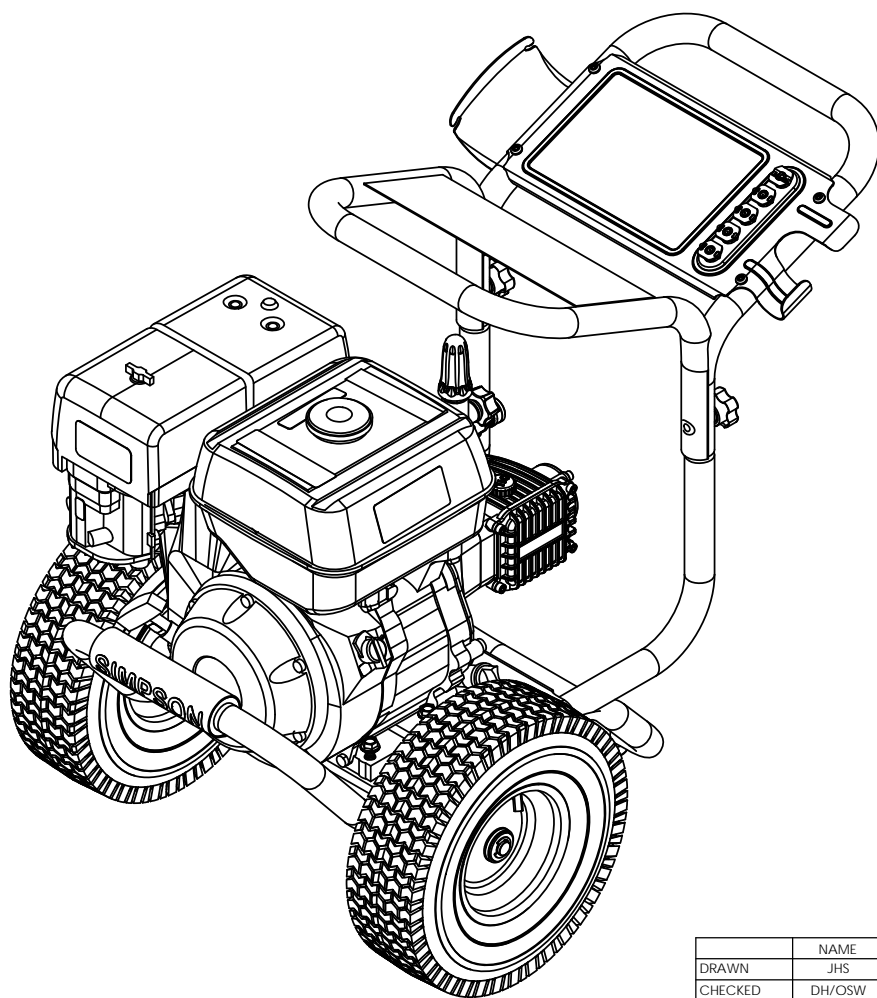
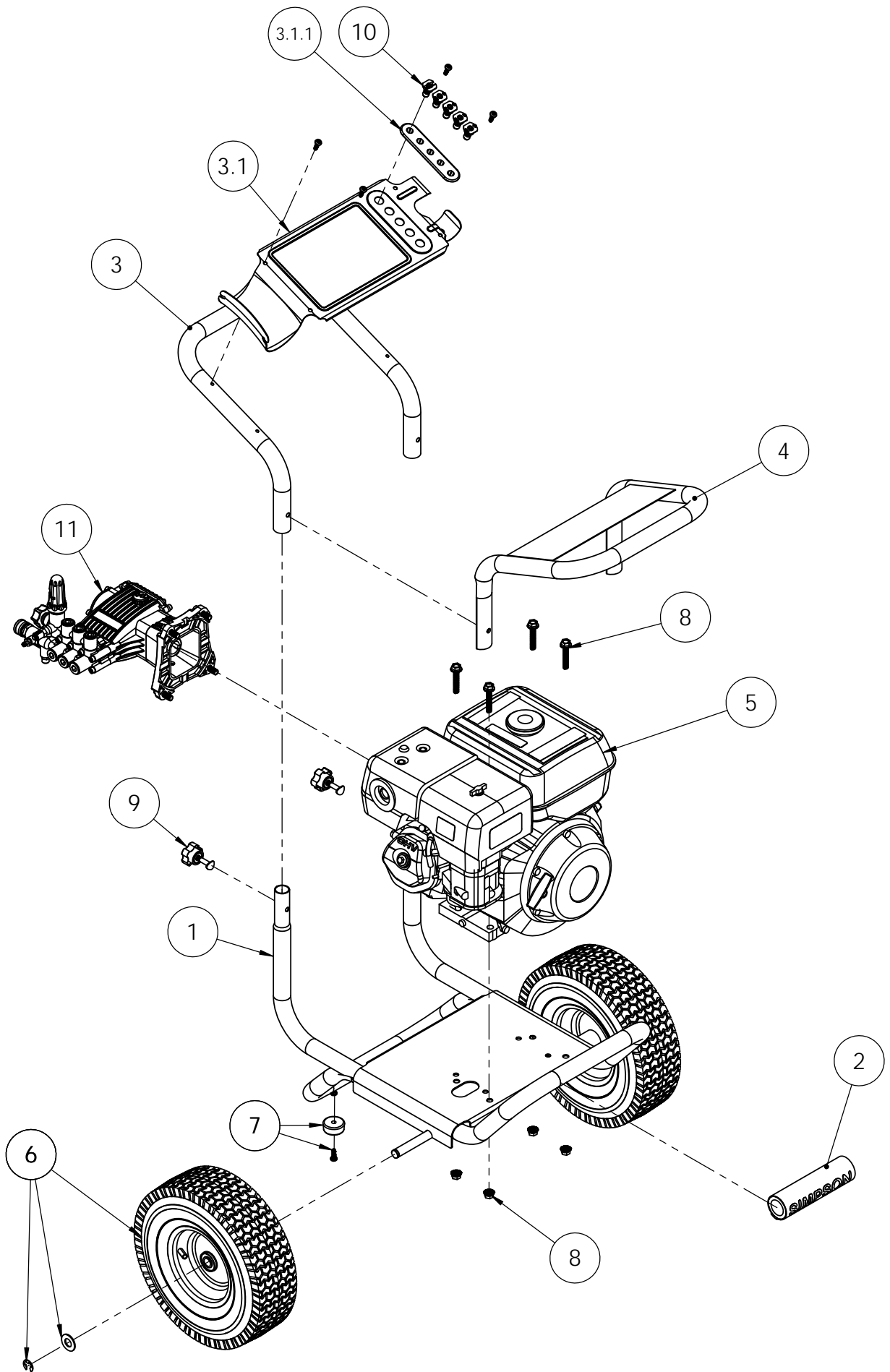


ITEM	PART NO	QTY.	DESCRIPTION
1	7104998	1	FRAME, BASE ASSY FLAT BLACK 13.25" SIMPSON
2	7105186	1	HANDLE GRIP, SILVER/WHITE SIMPSON
3	7110537	1	HANDLE SERVICE ASSEMBLY, 60869
3.1	7110536	1	DASHBOARD SERVICE ASSEMBLY, 60869
3.1.1	7103161	1	NOZZLE HOLDER, 5PC RUBBER
4	7109099	1	QS HANDLE, SIMPSON, 14", BLK W/LABELS
5	7107276	1	ENGINE, SVC ASSY GX270 RED HONDA
6	7105376	2	KIT, 13" WHEEL SERVICE
7	7103292	2	KIT, FOOT SVC ASY .625"
8	7103277	1	HARDWARE KIT, ENGINE MOUNTING
9	7107941	2	KNOB-BOLT ASSEMBLY
10	7101683	1	NOZZLE SET, 4.0 5PC 1/4" QC-M
11	7109049	1	PUMP SERVICE ASSEMBLY, 530010

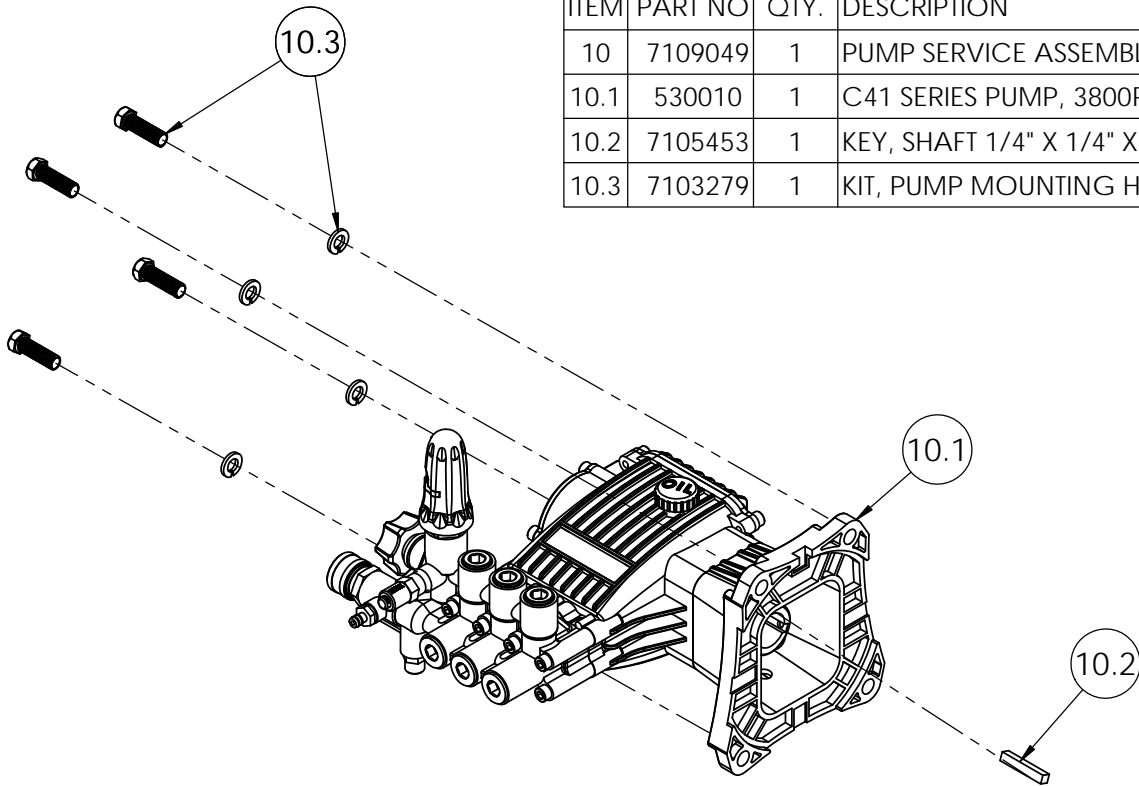


			<b>FNA-GROUP</b>	
DRAWN	JHS	NOV 2017	1265 INDUSTRIAL STREET, DECATUR, AR 72722	
CHECKED	DH/OSW	NOV 2017	TITLE:	
ENG APPR.	OSW	NOV 2017	<b>SIMPSON PS60869, 4000 PSI @ 3.5 GPM</b>	
MFG APPR.	-	-		
Q.A. APPR.	-	-		
SERVICE APPR.	DH	NOV 2017		
<b>PROPRIETARY AND CONFIDENTIAL</b> THE INFORMATION CONTAINED IN THIS DRAWING IS THE SOLE PROPERTY OF FNA-GROUP. ANY REPRODUCTION IN PART OR AS A WHOLE WITHOUT THE WRITTEN PERMISSION OF FNA-GROUP IS PROHIBITED.				
SCALE: N/A		ECN# EC17-0360	SHEET 1 OF 3	



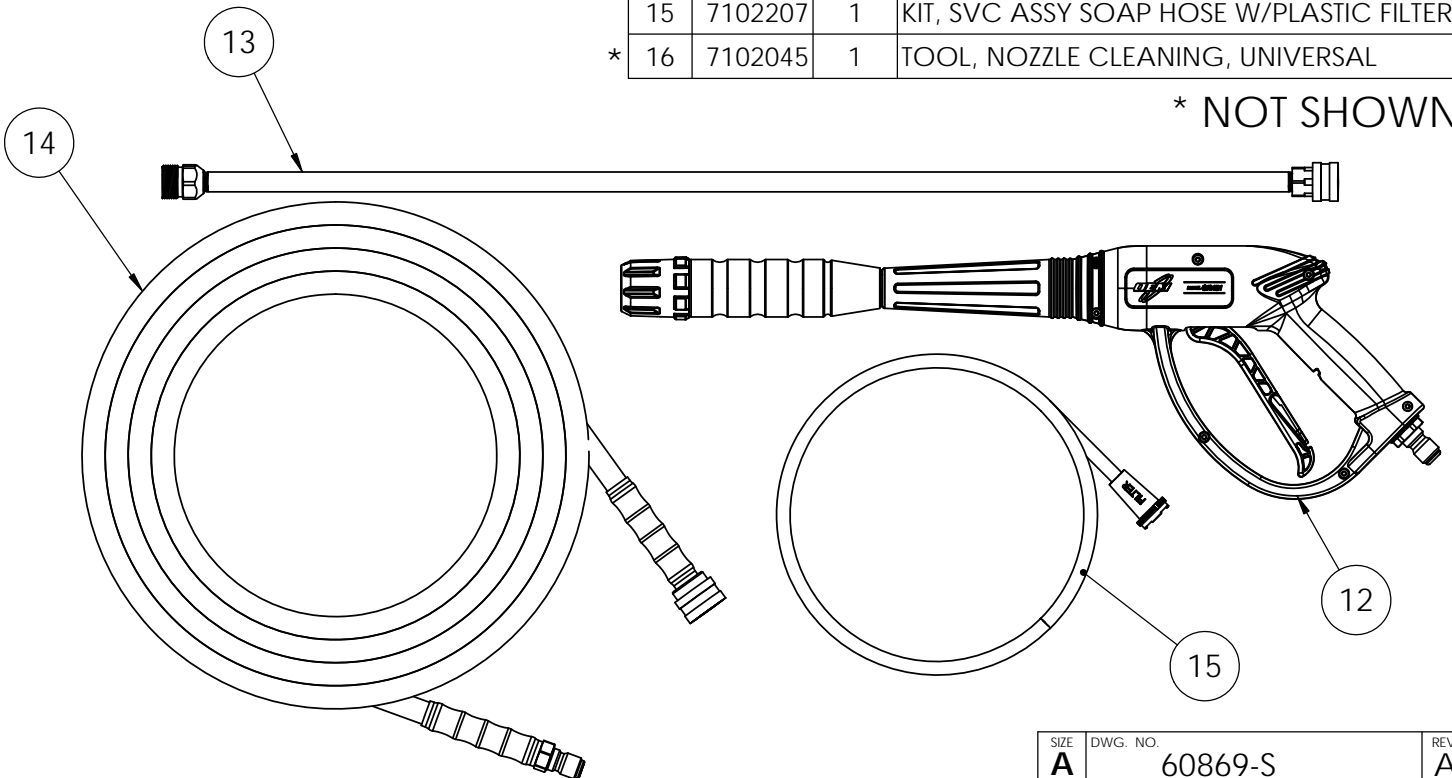
SIZE	DWG. NO.	REV.
<b>A</b>	60869-S	<b>A</b>
SCALE: N/A	ECN# EC17-0360	SHEET 2 OF 3

ITEM	PART NO	QTY.	DESCRIPTION
10	7109049	1	PUMP SERVICE ASSEMBLY, 530010
10.1	530010	1	C41 SERIES PUMP, 3800PSI @ 3.5GPM HORIZ
10.2	7105453	1	KEY, SHAFT 1/4" X 1/4" X 1-1/2"
10.3	7103279	1	KIT, PUMP MOUNTING HARDWARE



ITEM	PART NO	QTY.	DESCRIPTION
12	7108125	1	GUN, 4500PSI 3/8QC(M) INLET X M22(F) OEM
13	7103261	1	LANCE, 31" 1/4"QC-F x M22(M)
14	7103642	1	HOSE, 3/8" x 50' x 4500PSI WIRE BRAID
15	7102207	1	KIT, SVC ASSY SOAP HOSE W/PLASTIC FILTER
* 16	7102045	1	TOOL, NOZZLE CLEANING, UNIVERSAL

\* NOT SHOWN

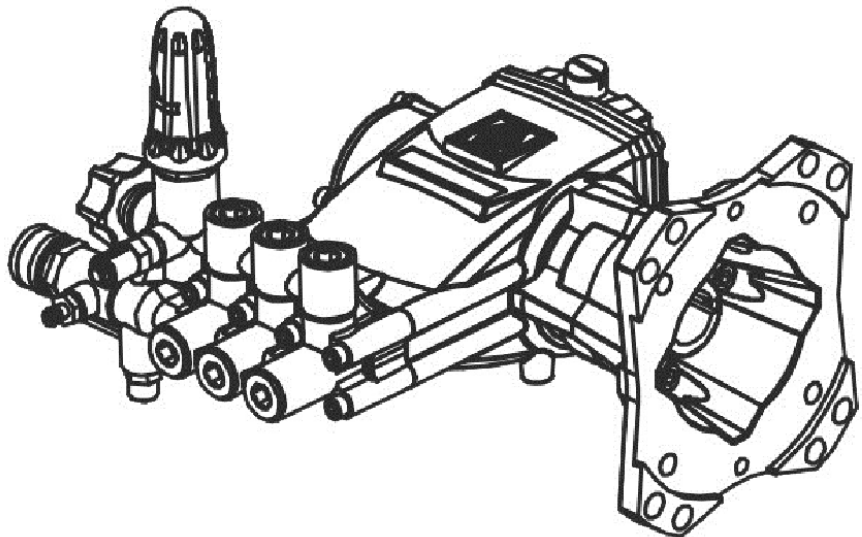
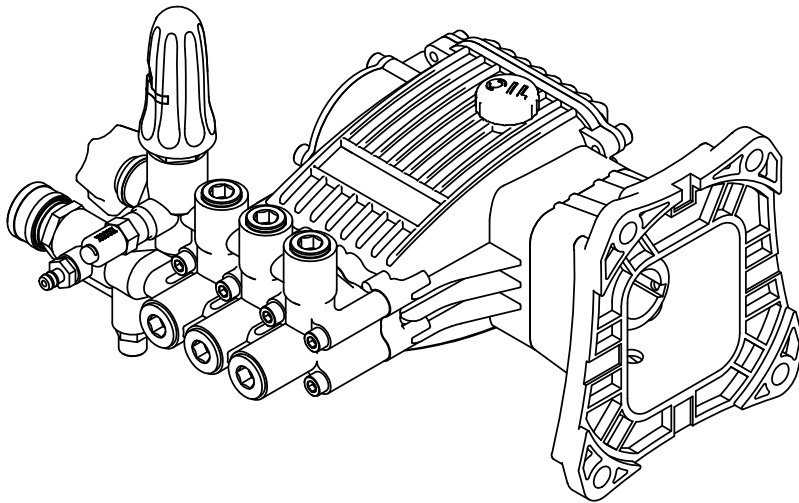


SIZE	DWG. NO.	REV.
<b>A</b>	60869-S	<b>A</b>
SCALE: N/A	ECN# EC17-0360	SHEET 3 OF 3

# OEM 41&42 SERIES PUMP IPL

PUMPS COVERED IN THIS IPL

530010 (53BRD35)



	NAME	DATE
DRAWN	JHS	AUG 2017
CHECKED	DH/OSW	AUG 2017
ENG APPR.	OSW	AUG 2017
MFG APPR.	-	-
Q.A. APPR.	-	-
SERVICE APPR.	DH	AUG 2017

**PROPRIETARY AND CONFIDENTIAL**  
 THE INFORMATION CONTAINED IN THIS DRAWING IS THE SOLE PROPERTY OF FNA-GROUP. ANY REPRODUCTION IN PART OR AS A WHOLE WITHOUT THE WRITTEN PERMISSION OF FNA-GROUP IS PROHIBITED.

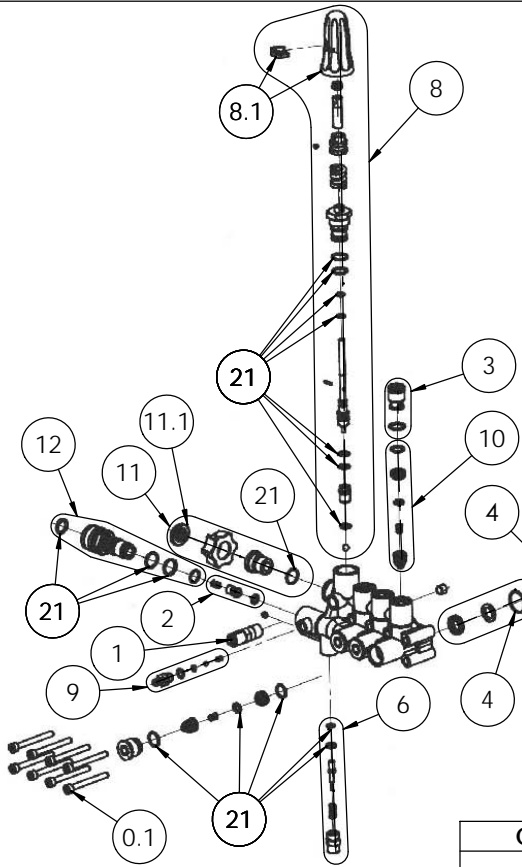
## FNA-GROUP

1265 INDUSTRIAL STREET, DECATUR, AR 72722

TITLE:

C41, C42 SERIES PUMP,  
 HORIZONTAL

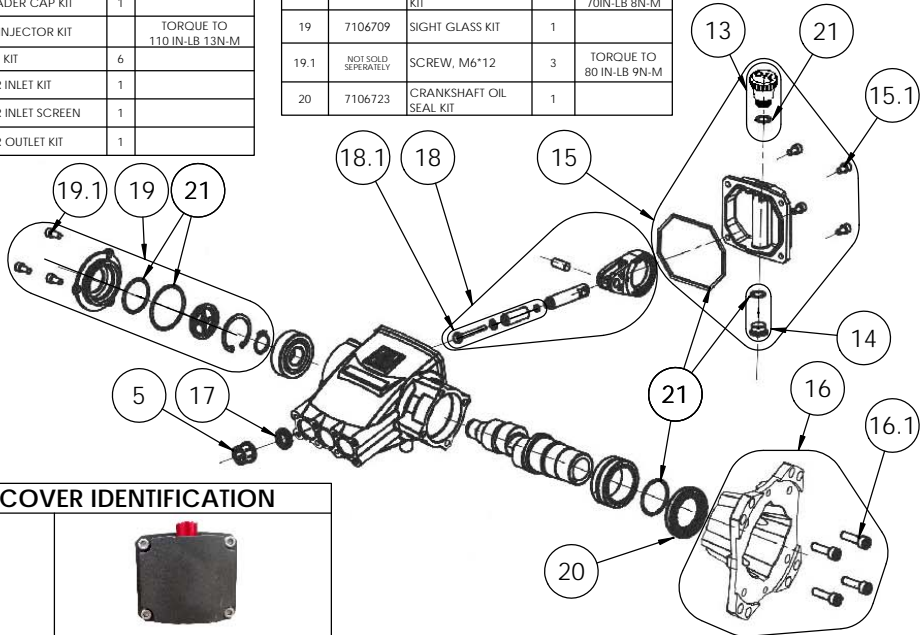
SIZE	DWG. NO.	REV.
<b>A</b>	530010-C	<b>C</b>
SCALE: N/A	ECN# EC180251	SHEET 1 OF 2



MANIFOLD KIT P/N 7108752				
ITEM	PART NO.	DESCRIPTION	QTY	COMMENT
0.1	NOT SOLD SEPARATELY	SCREW, M6*55	8	TORQUE TO 106 IN-LB 12N-M
1	7101359	THERMAL RELIEF VALVE	1	TORQUE TO 159 IN-LB 18N-M
2	7110139	CHECK VALVE KIT	1	
3	7110140	VALVE CAP KIT	6	1 KIT REQ'D TORQUE TO 177 IN-LB 20N-M
4	7110142	SEAL RETAINER KIT	3	
5	7110144	SEAL SPACER KIT	3	
6	7106628	KIT, BOOST VALVE	1	TORQUE TO 159 IN-LB 18N-M
7	7106733	WATER SEAL KIT	3	
8	7108747	UNLOADER KIT	1	
8.1	7109325	UNLOADER CAP KIT	1	
9	7104228	SOAP INJECTOR KIT		TORQUE TO 110 IN-LB 13N-M
10	7108750	VALVE KIT	6	
11	7110330	WATER INLET KIT	1	
11.1	7000123	WATER INLET SCREEN	1	
12	7110331	WATER OUTLET KIT	1	

CRANKCASE KIT P/N 7110147				
ITEM	PART NO.	DESCRIPTION	QTY	COMMENT
13	7111013	OIL BREATHER KIT	1	
14	SEE ID TABLE BELOW	OIL PLUG KIT	1	TORQUE TO 159 IN-LB 18N-M
15		REAR CRANK COVER KIT	1	
15.1	SEE ID TABLE BELOW	SCREW, M6*12	4	TORQUE TO 80 IN-LB 9N-M
16		MOUNTING FLANGE KIT		
16.1	SEE ID TABLE BELOW	SCREW, M8X30	4	TORQUE TO 221 IN-LB 25N-M
17		7105741	OIL SEAL SET	1
18	7110150	CONNECTING ROD/PISTON KIT	1	
18.1	7110828	CERAMIC PLUNGER KIT	3	TORQUE TO 70 IN-LB 8N-M
19	7106709	SIGHT GLASS KIT	1	
19.1	NOT SOLD SEPARATELY	SCREW, M6*12	3	TORQUE TO 80 IN-LB 9N-M
20	7106723	CRANKSHAFT OIL SEAL KIT	1	

MISC. PARTS		
ITEM	PART NO.	DESCRIPTION
21	7110146	ORING KIT, COMPLETE



CRANKCASE COVER IDENTIFICATION	
COVER KIT P/N: 7110141	COVER KIT P/N: 7111012
VENT CAP P/N: 7108868	VENT CAP P/N: 7111013
OIL PLUG P/N: 7110127	OIL PLUG P/N: 7111014
FLANGE KIT P/N: 7111016	FLANGE KIT P/N: 7111015
CRANKCASE COVERS ARE NOT INTERCHANGEABLE BOTH TYPES OF SEAL INCLUDED IN ORING KIT (7110146)	

SIZE	DWG. NO.	REV.
A	530010	C
SCALE:	N/A	ECN# EC180251
		SHEET 2 OF 2